

1000BASE-TX TRANSFORMER MODULE

RoHs Compliant

Electrical Specifications: @25°C

Operating Temperature: 0°C ~ +70°C

Developed for "Lead Free Manufacturing Process"

Isolation Voltage: 1500 Vrms 0.5mA 1Second (PRI to SEC)

Turns Ratio: PRI/SEC 1CT:1CT ±3%

OCL: 350uH Minimum @100KHz 100mV 8mADC

(P2-3,P5-6,P8-9,P11-12)

Leakage Inductance:0.4uH Max @100KHz 100mV

P13-14(Shorted P12-11) , P16-17(Shorted P9-8)

P19-20(Shorted P6-5) , P22-23(Shorted P3-2)

CW/W: 20pF Typ @100KHz 100mV

(P2-23,P5-20,P8-17,P11-14)

Insertion Loss: -1.0dB Maximum(100KHz~100MHz)

Return Loss: -18dB Minimum @1MHz ~ 30MHz

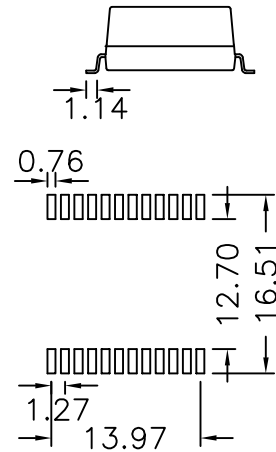
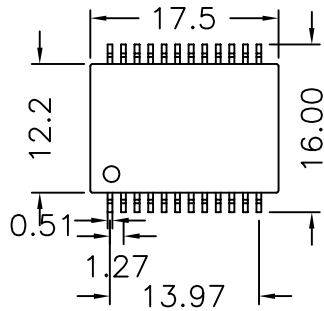
-12dB Minimum @30MHz-80MHz

-10dB Minimum @100MHz

CMRR: -35dB Min.@30-100MHz

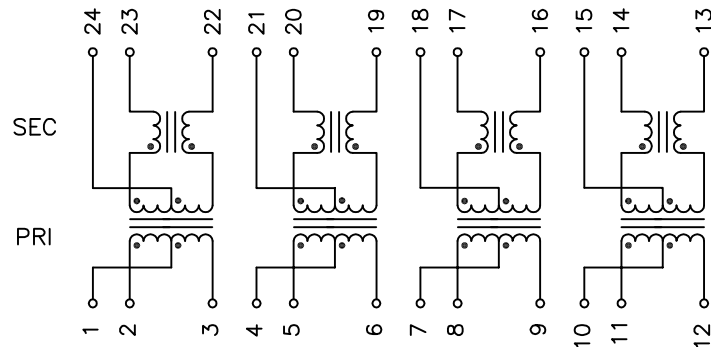
Crosstalk: -40dB Typ.@1-100MHz

Mechanicals:



SUGGESTED PCB PAD LAYOUT

Schematics:

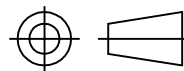


Modify Note:
1.Original

库乐科技

P/N:
T2440S

DIMENSIONS IN MM
SCALE: NONE



Unless otherwise specified
Dim. Tolerances are:
.x ±0.25 .xx±0.15

Ver:A0

DRWN: jason DATE:2015/3/26

Page:1/1

CHKD: zouhui DATE: 2015/3/26

APPD: jack DATE: 2015/3/26